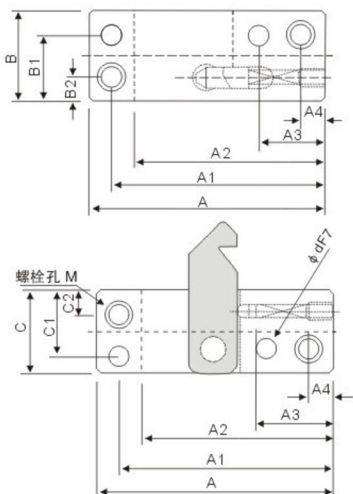
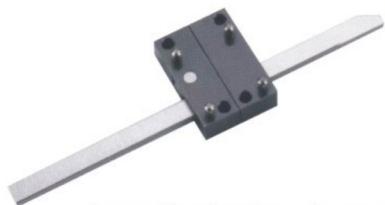
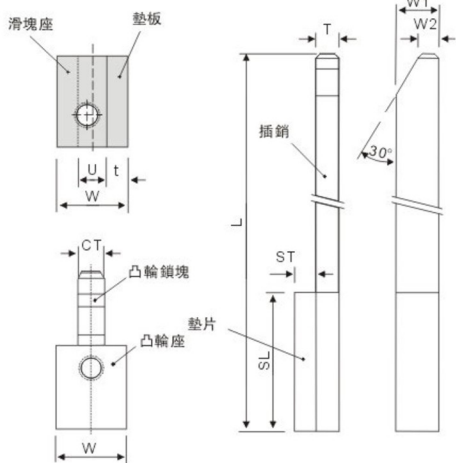


鎖模扣 PPL LATCH LOCK

鎖模組件系列
Mold Locking Component Series



此款產品結構小，正確開模，無反作用力。完全沒有鎖模負載，可用于低壓鎖模成形。其動作與合模順序無關。流道板先于分型面閉合時，鎖緊塊起到後退功能。
It with small frame, but open mold exactly and no counteractive no lock load, apply to low pressure lock molding. It's action irrespective of compound molding sequence. locking blocks have back function when hot runner plate close before devide face.



Type	滑塊座 · 凸輪座											墊板		插銷			墊片		單價 ¥ Unit price				
	A	A1	A2	A3	A4	B	B1	B2	C	C1	C2	W	U	螺栓孔M	d	t	w1	w2		T	L	ST	SL
PPLS (輕負載用)	68	61.5	55	19	7	26	19	7	24	17	7	20	8	M6	c6	6	13	5.9	7	250	6.5	40	600.00
PPLM (中負載用)	88	79	70	24	9	38	29	9	30	21	9	30	12	M8	c8	7	16	8	10	300	8	50	700.00
PPLL (重負載用)	104	93	82	27	11	48	37	11	38	27	11	45	20	M10	c10	8	20	9.5	15.5	350	10.2	55	900.00

Order: Type No. x Pcs
PPLS x 10

Example

使用例

