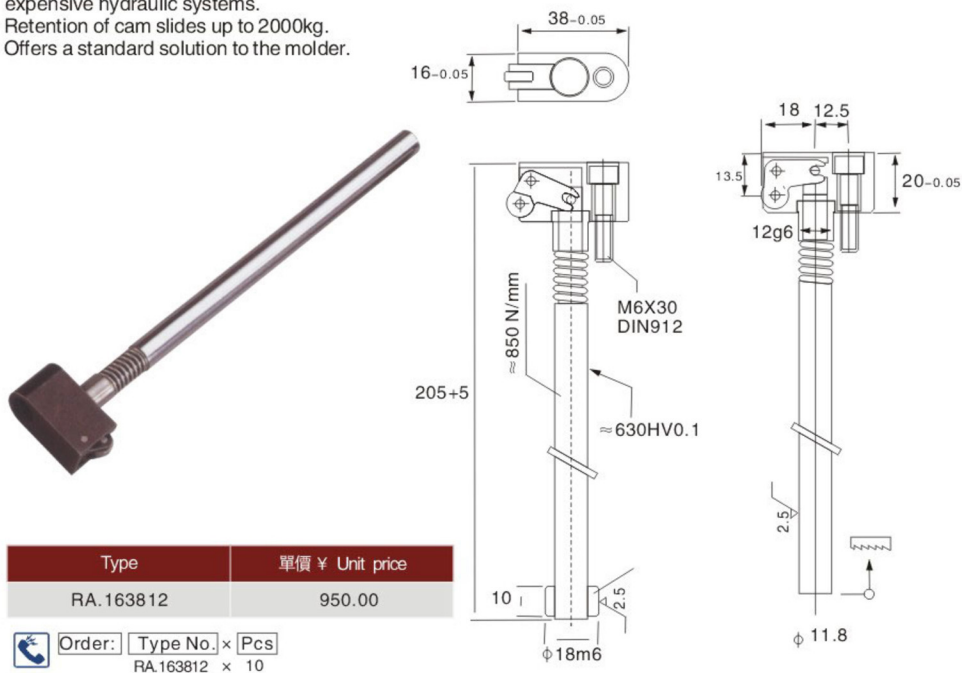


# 導柱固定器 RA AUTOMATIC RETAINER



- 簡化的機構能提供良好的固定功能。
- 降低了裝配與加工的成本，優化模具結構，可承受2000kg的力，
- 安全簡易，使模具制造更標準化。
- Reduces costs in machining and fitting, no need for expensive hydraulic systems.
- Retention of cam slides up to 2000kg.
- Offers a standard solution to the mold.



Type	單價 ¥ Unit price
RA.163812	950.00

Order:  ×   
RA.163812 × 10

Slider series

加工示意圖 請把導柱固定器的柱長削到比滑塊高度短0.5mm。  
Cut the rod 0.5mm shorter than the slide height.

