

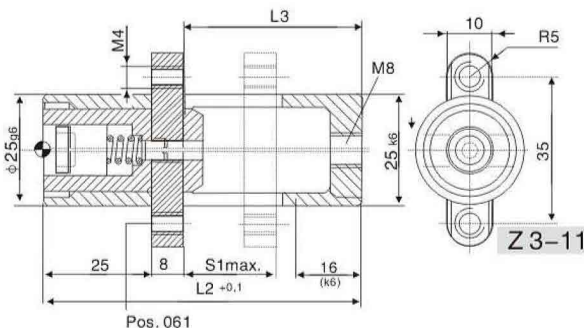
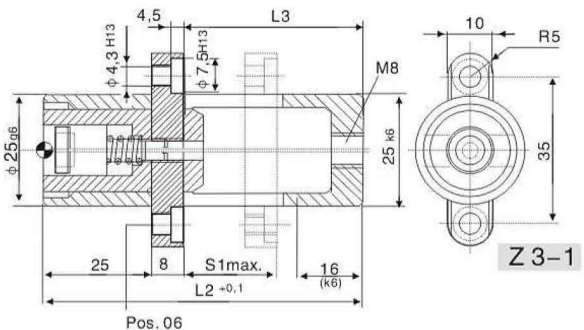
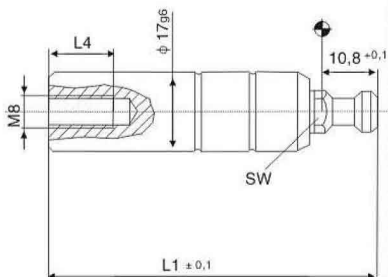
內鎖模扣 Z3-1 Z3-11

INTERNAL LATCH LOCK



特點：具有復位機構，二次頂出裝置的功能，使用時需良好的潤滑，才能使產品壽命更長、更耐磨。

Characteristics: It has reset mechanism and double ejection device function. Good lubrication is needed in usage so that product life can be much longer and the product can become more abrasion resistant.

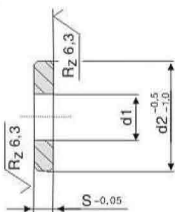


注意事項：在模具加工中請精確加工對稱安裝，至少使用2套模具以上，請根據不同模具的負荷決定數量及規格。

S1mas.	L1	L2	L3	L4	Unit price
16	45	66	33	20	
	70				
	100			40	

S1mas.	L1	L2	L3	L4	Unit price
40	100	90	57	40	
	125				
	150				110

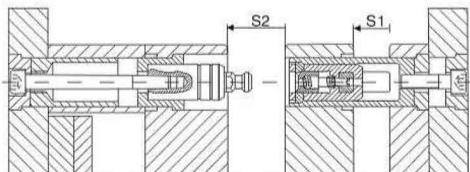
Order: Type No. x Pcs
Z3-1 x 10



Example
使用例

d2	S	d1
17	5	8.5
	10	

d2	S	d1
25	5	8.5
	10	



鎖模組件系列