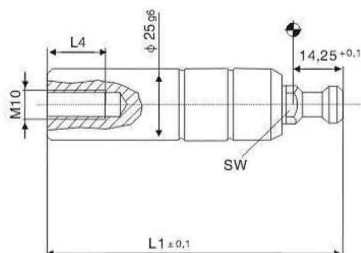


內鎖模扣 Z3-2 Z3-21

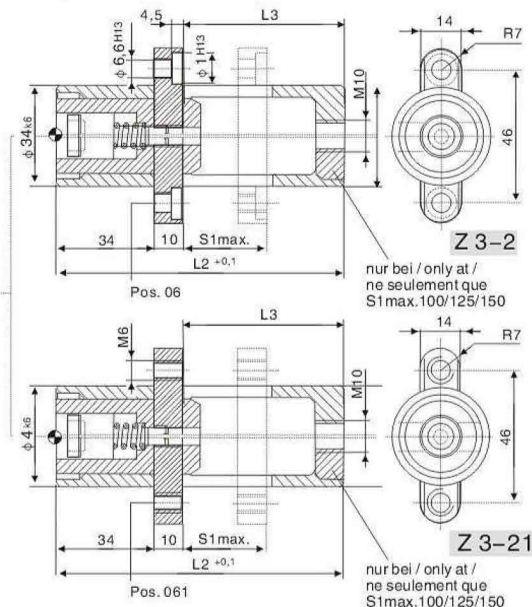
INTERNAL LATCH LOCK

特點：具有復位機構，二次頂出裝置的功能，使用時需良好的潤滑，才能使產品壽命更長、更耐磨。
 Characteristics: It has reset mechanism and double ejection device function. Good lubrication is needed in usage so that product life can be much longer and the product can become more abrasion resistant.

鎖模組件系列



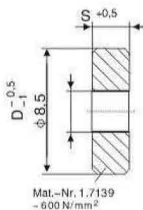
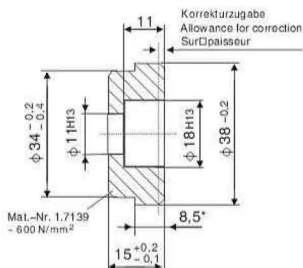
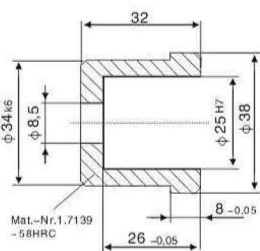
注意事項：在模具加工中請精確加工對稱安裝，至少使用2套模具以上，請根據不同模具的負荷決定數量及規格。



S1mas.	L1	L2	L3	L4	Unit price	S1mas.	L1	L2	L3	L4	Unit price
25	70	86	42	40		100	220	161	117	40	
	120										
	170										
50	120	111	67			125	220	186	142		
	170										
	220										
75	120	136	92			150	270	211	167		
	170										



Order: Type No. x Pcs
 Z3-2 x 10



Pos.	S	D
09	5	25

Pos.	S	D
10	5	34

Pos.	S	D	Pos.	S	D
11	5	25	12	5	34
	10			10	