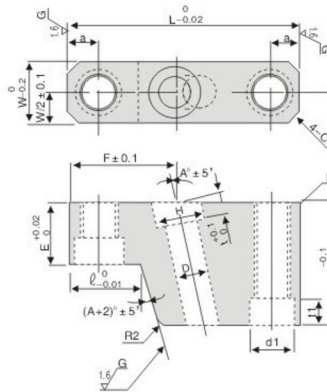


Type	Material	Hardness	Heat Treatment
	M材質	H硬度	熱處理
JH056-2	SKS3	53-56HRC	真空處理 Vacuumed

(D=6 · 8 · 10)



■C寸法c part specification

W	C
15-20	3
25-40	5

■F寸法F part specification

A	D	6 · 8	10
10 · 15	25	35	
18 · 20	20	30	

備注: 1.圖面以外之特殊規格可定制
2.依客戶來圖報價

Remark: 1. Special product is available.
2. The price is per the provided drawing.

DH7	H	t	d1	t1	M	L	T	e	E	a	Catalog No.		W	A	
											Type	D			
6	+0.012 0	11	5	11	6.5	8	55	30	16	15	7	JH056-2	6	15 20 25	10° 15° 18° 20°
8	+0.015 0	13	5										8	15 20 25	
10		16	10										14	8.6	

●Order: Catalog No. \square × \square × \square

備注：1.圖面以外之特殊規格可定制。

2.依客戶來圖報價。

Remark:1.Special product is available.

2. The price is per the provided drawing.