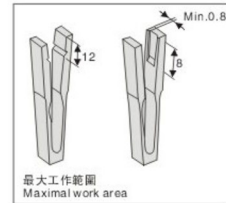
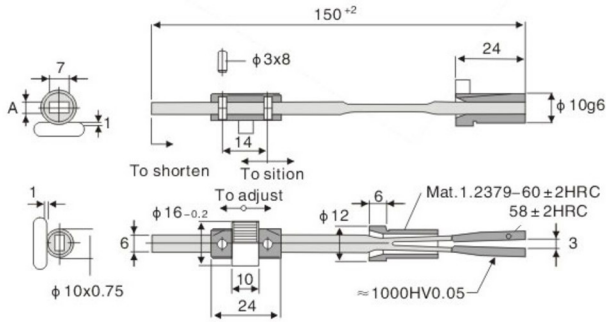


彈弓頂針

SLING EJECTOR PIN

塑膠模用
Plastic mold accessories



其功能和彈弓針BT013一樣，祇是從底部釋放彈性更小一些，安裝容易，僅祇有一個安裝孔，高度容易調節，允許較小的加工誤差。
It's function is same as sling ejector pin BT013, just the released elasticity is smaller from its bottom, easy to installed, just has only one installation aperture. The height is easy to adjust, with smaller process tolerance.

Material M 材質	Hardness 硬度
1.2101	HRC45° $\pm 3^\circ$

Type	尺寸/dimension	
	A	
JHN05-1	4	
JHN05-2	5	

使用例Example

